

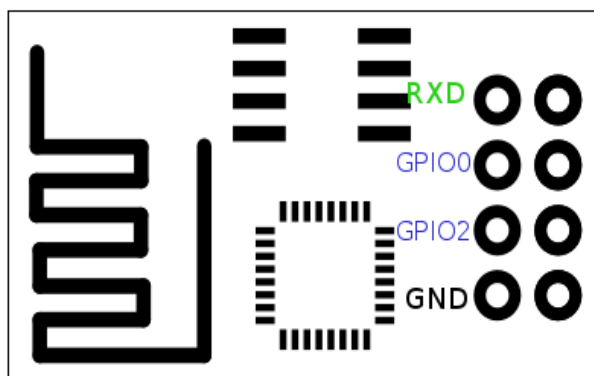
FLARM-IN

FLARM-OUT

ZS1-A
SR940
SR820

TX2-OUT

Strobe



GPIO 0 : LOW: Firmware upload - HIGH: or OPEN: normal ops
 GPIO 2 : must not be LOW on BOOT
 CH_PD : must be HIGH to boot
 RST : LOW: Reset - weak pullup to HIGH

TITLE: ESP01 - ZanderGPS or Strobe		REV: 1.2
EasyEDA	Company: Anton Kaser	Sheet: 1/1
	Date: 2021-12-17	Drawn By: Anton Kaser